

# SUPERPLAN

- exclusive, elegant design
- with a depth of 0.98 inch extremely flat and ideally suitable for installing flush with the floor
- made of KALDEWEI steel enamel
- IAPMO
- ASME A112.19.1
- CSA B45.2
- ASTM F-462



Illustration shows Model 390

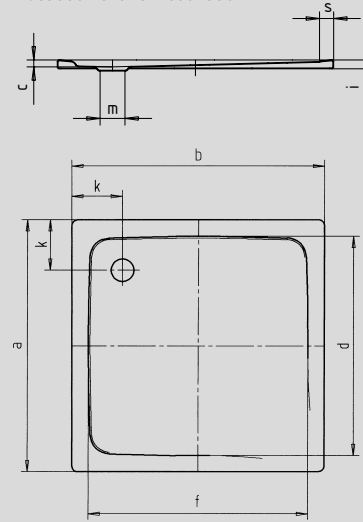
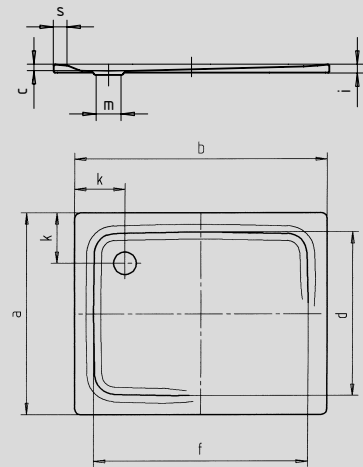


Illustration shows Model 398



		inch	inch	inch	inch	inch	inch	inch	inch
<b>Model No.</b>		<b>386</b>	<b>400</b>	<b>387</b>	<b>388</b>	<b>390</b>	<b>402</b>	<b>398</b>	<b>404</b>
External length	a	31.50	27.56	29.53	31.50	35.43	29.53	31.50	35.43
External width	b	31.50	35.43	35.43	35.43	35.43	39.37	39.37	39.37
Depth	c	0.98	0.98	0.98	0.98	0.98	0.98	0.98	0.98
Internal length	d	27.17	23.62	25.59	27.56	31.10	25.20	27.56	31.10
Internal width	f	27.17	31.50	27.56	31.50	31.10	35.04	35.43	35.04
Height of rim	i	1.26	1.26	1.26	1.26	1.26	1.26	1.26	1.26
Distance tray edge to centre of drain hole	k	7.87	7.87	7.87	7.87	7.87	7.87	7.87	7.87
Diameter of drain hole	m	3.54	3.54	3.54	3.54	3.54	3.54	3.54	3.54
Width of rim	s	1.97	1.97	1.97	1.97	1.97	2.17	1.97	1.97
Weight of the enamelled shower tray in lbs		39.68	39.68	39.68	41.89	48.50	44.09	46.30	52.91