

SUPERPLAN

- exclusive, elegant design
- with a depth of 0.98 inch extremely flat and ideally suitable for installing flush with the floor
- made of KALDEWEI steel enamel
- IAPMO
- ASME A112.19.1
- CSA B45.2
- ASTM F-462
- ICC / ANSI A117.1 (ADA): Model No. 391, 399, 407



Illustration shows Model 391

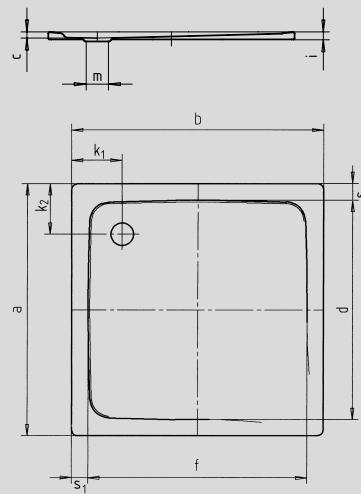
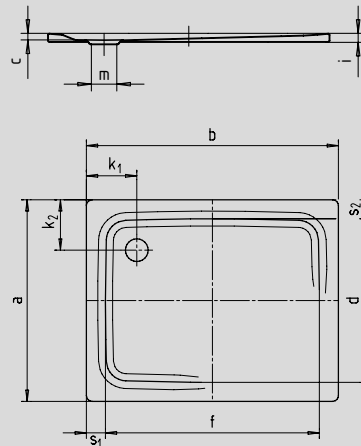


Illustration shows Model 405



		inch	inch	inch	inch	inch	inch	inch	inch
Model No.		391	405	401	403	389	406	407	399
External length	a	39.37	35.43	27.56	29.53	31.50	35.43	39.37	47.24
External width	b	39.37	43.31	47.24	47.24	47.24	47.24	47.24	47.24
Depth	c	0.98	0.98	0.98	0.98	0.98	0.98	0.98	0.98
Internal length	d	34.25	31.10	23.23	25.20	27.56	31.10	35.04	42.13
Internal width	f	34.25	38.98	42.91	42.91	43.31	42.91	42.91	42.13
Height of rim	i	1.26	1.26	1.26	1.26	1.26	1.26	1.26	1.26
Distance tray edge to centre of drain hole	k ₁ ; k ₂	7.87; 7.87	7.87; 7.87	7.87; 7.87	7.87; 8.86	7.87; 7.87	7.87; 7.87	7.87; 7.87	7.87; 7.87
Diameter of drain hole	m	3.54	3.54	3.54	3.54	3.54	3.54	3.54	3.54
Width of rim	s ₁ ; s ₂	1.97; 1.97	1.97; 1.97	1.97; 1.97	1.97; 2.95	1.97; 1.97	1.97; 1.97	1.97; 1.97	1.97; 1.97
Weight of the enamelled shower tray in lbs		59.52	57.32	50.71	52.91	55.12	63.93	68.34	81.57