

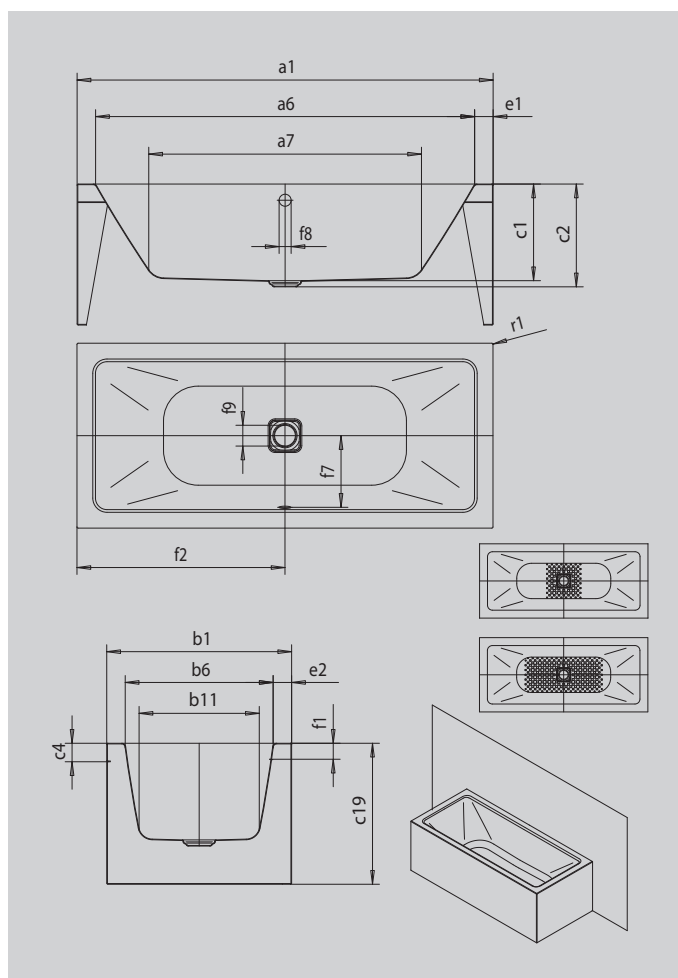
# MEISTERSTÜCK CONODUO 2

## FRONT WALL INSTALLATION (3-SIDED)

- bath made of high-quality steel enamel with enamelled panelling on three sides
- with exclusive easy-clean finish
- straightlined, purist design
- enamelled waste cover and overflow knob integrated in the bath design (also available with filling function)
- made of KALDEWEI steel enamel
- designed by Sottsass Associati



Similar illustration



Model		1723
External length	$a_1$	1800 mm
Internal length (top)	$a_6$	1640 mm
Internal length (bottom)	$a_7$	1180 mm
External width	$b_1$	800 mm
Internal width (top)	$b_6$	640 mm
Internal width (bottom)	$b_{11}$	520 mm
Depth inside	$c_1$	420 mm
Depth incl. waste hole	$c_2$	445 mm
Height of rim	$c_4$	80 mm
Height of bath	$c_{19}$	610 mm
Width of rim (foot end; long side)	$e_1; e_2$	80; 80 mm
Distance top edge to centre of overflow hole	$f_1$	70 mm
Distance bath edge to centre of waste hole	$f_2$	900 mm
Distance centre of waste hole to centre of overflow hole	$f_7$	310 mm
Diameter of overflow hole	$f_8$	Ø 52 mm
Diameter of waste hole	$f_9$	Ø 90 mm
External radius	$r_1$	5 mm
Fill fitting connection		3/4"
Waste connection diameter		Ø 40/50
Water volume		159 l
Net weight		118 kg
Anti-slip		404 x 404 mm
Full anti-slip		884 x 404 mm