

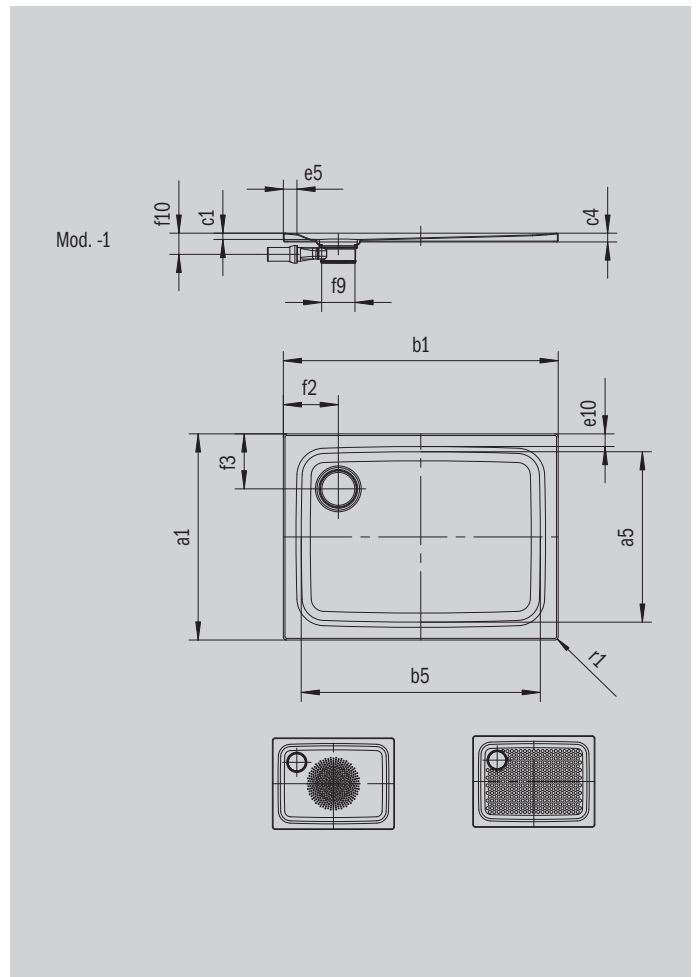
SUPERPLAN PLUS

- elegant, puristic design
- can be installed to be absolutely flush with the floor
- maximum standing comfort thanks to the flat enamelled waste cover that is set flush in the shower tray
- made of KALDEWEI steel enamel



Similar illustration

Model 475	KA 120 horizontal	KA 120 flat	KA 120 vertical
Total height	108	88	49
Fitting height	83	63	83



ANTISLIP
SECURE

Model		475
External length	a_1	900 mm
Internal length	a_5	790 mm
External width	b_1	900 mm
Internal width	b_5	790 mm
Depth inside	c_1	25 mm
Height of rim	c_4	32 mm
Total height (height with bottle trap)	c_{17}	109 mm
Width of rim	e_{10}, e_5	50; 50 mm
Diameter of waste hole	f_9	Ø 120 mm
Bottle trap connection height	f_{10}	78 mm
Distance bath edge to centre of waste hole	f_{21}, f_3	200; 200 mm
External radius	r_1	12 mm
Net weight		21 kg
Diameter of anti-slip		Ø 435 mm
Full anti-slip		649 x 673 mm
ANTI-SLIP SECURE PLUS		full base

KALDEWEI