

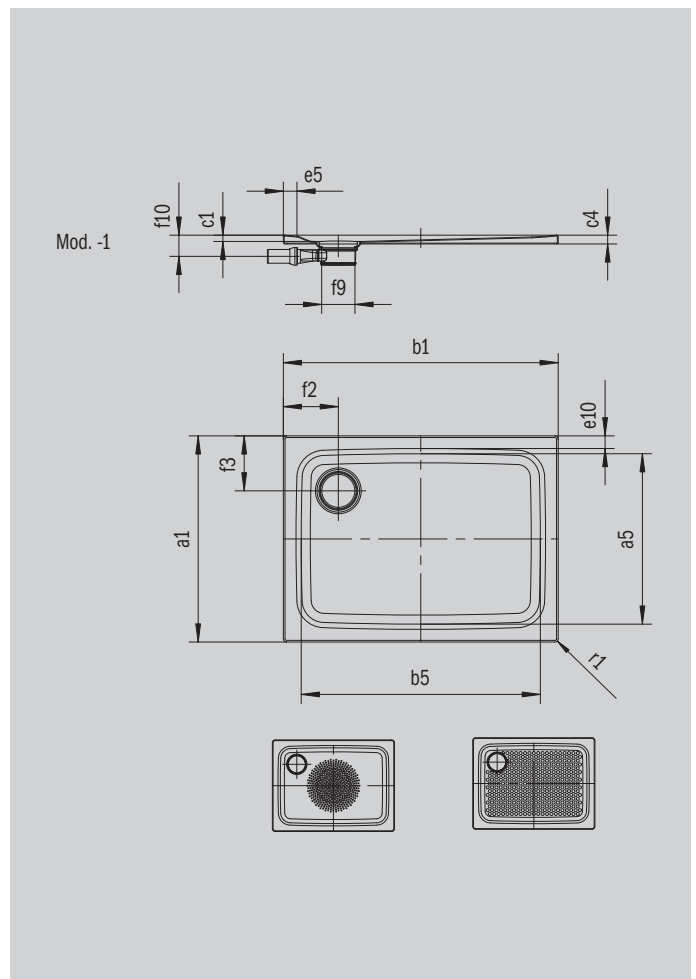
SUPERPLAN PLUS

- elegant, puristic design
- can be installed to be absolutely flush with the floor
- maximum standing comfort thanks to the flat enamelled waste cover that is set flush in the shower tray
- made of KALDEWEI steel enamel



Similar illustration

Model 494	KA 120 horizontal	KA 120 flat	KA 120 vertical
Total height	135	115	49
Fitting height	83	63	83



ANTISLIP
SECURE⁺

Model		494
External length	a_1	1500 mm
Internal length	a_5	1390 mm
External width	b_1	1500 mm
Internal width	b_5	1390 mm
Depth inside	c_1	52 mm
Height of rim	c_4	32 mm
Height with support	c_{10}	145 mm
Total height (height with bottle trap)	c_{17}	136 mm
Width of rim	e_{10}, a_5	50; 50 mm
Diameter of waste hole	f_9	Ø 120 mm
Bottle trap connection height	f_{10}	105 mm
Distance bath edge to centre of waste hole	f_{21}, f_3	200; 200 mm
External radius	r_1	12 mm
Net weight		58 kg
Diameter of anti-slip		Ø 861 mm
Full anti-slip		1393 x 1393 mm

ANTI-SLIP SECURE PLUS

full base

KALDEWEI